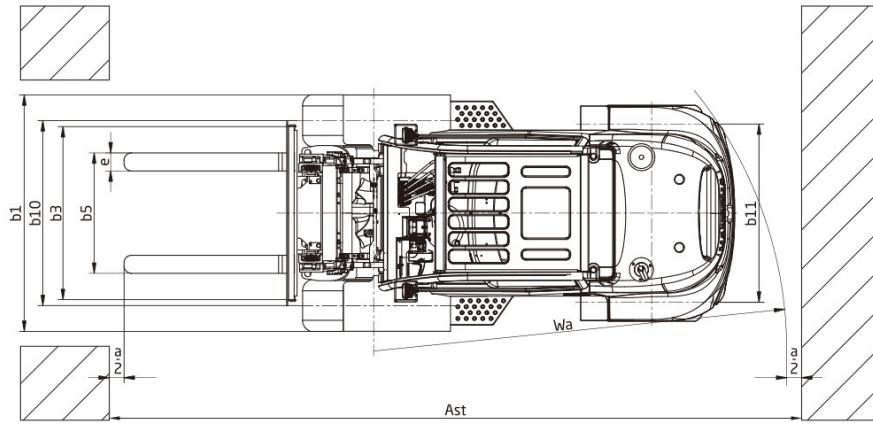
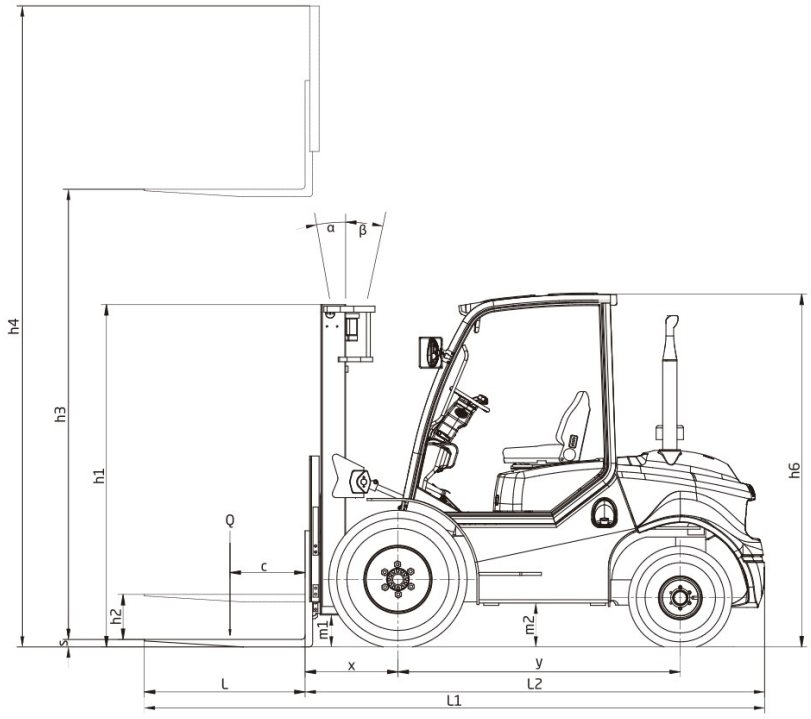


TECHNICAL DATA SHEET

1.	Manufacturer		DEUTRUCK
2.	Type	model designation	DFG 3G
3.	Capacity	Q	kg 3.000
4.	Load centre	c	mm 500
5.	Type of drive	electr. , diesel, LPG	diesel
6.	Operator type	stand on / driver seated	driver seated
7.	Tyre	C = cushion / P = pneumatic / SE = super elastic	P
8.	Wheels (x=driven)	number front/rear	2x / 2
9.	Lift	h3 standard lift height	mm 3.000
10.		h2 standard free lift	mm 145
11.		h5 special free lift	mm
12.	Forks	length x width x thickness	mm 1.150 x 122 x 45
13.	Fork carriage	FEM 4A	
14.	Fork carriage width	b3	mm 1.150
15.	Tilting	forward / backward	(°) 10 / 12
16.	Dimensions	l1 length with forks	mm 4.220
17.		l2 length without forks	mm 3.000
18.		b1 overall width	mm 1.599
19.		h1 mast standard lowered	mm 2.350
20.		h4 mast standard extended	mm 4.142
21.		h6 height of overhead guard	mm 2.420
22.		h7 seat height	mm
23.	Turning radius	Wa or WA'	mm 2.900
24.	Load distance	x = centre of drive axle to fork	mm 600
25.	Aisle width for 90° stacking	1.000 x 1.200 / 800 x 1.200 pallets	mm 4.900
26.	Stability	DIN 15138 (FEM)	Yes
27.	Speeds	travel unladen	km/h 28
28.		lift laden	m / s 0,49
29.		lower laden	m / s 0,50
30.	Drawbar pull	at the hook laden	N 22.000
31.	Gradeability	laden	% 22
32.	Weight of truck		kg 5.120
33.	Axle loading	unladen front / rear	kg 2.300/2.820
34.		laden front / rear	kg 7.080/1.040
35.	Wheels (x=driven)	number front / rear	2x / 2
36.	Tyres	dimensions front	“ or mm 14-17,5-14 PR
37.		dimensions rear	“ or mm 27x10-12-12 PR
38.	Wheelbase	y	mm 1.880
39.	Tread front / rear	b 10 / b 11	mm 1.250/1.200
40.	Ground clearance	m1 under mast laden	mm 270
41.		m2 centre of wheelbase	mm 300
42.	Brakes	service brake	hydr.
43.		parking brake	hand
44.	Battery	type	starter
45.		Volt / Ah cap.	12 / 90
46.	Engine	manufacturer / type	KUBOTA V2607-CR-TE5B
47.		continuous output ISO 1585	kW 47,3
48.		rated speed ISO 1585	cycl.p.m. 2.400
49.		number of cylinders / capacity	cm ³ 4 / 3.319
50.		consumption	l / h
51.		tank volume	l 60
52.	Tow coupling		
53.	Transmission		powershift
54.	Gear change	forward / backward	
55.	Sound level	in drivers ear	db(A) 79
56.	Operating pressure		bar 160

according to VDI 2198 - standard version - subject to modification without pre-advice



LOAD CHART

