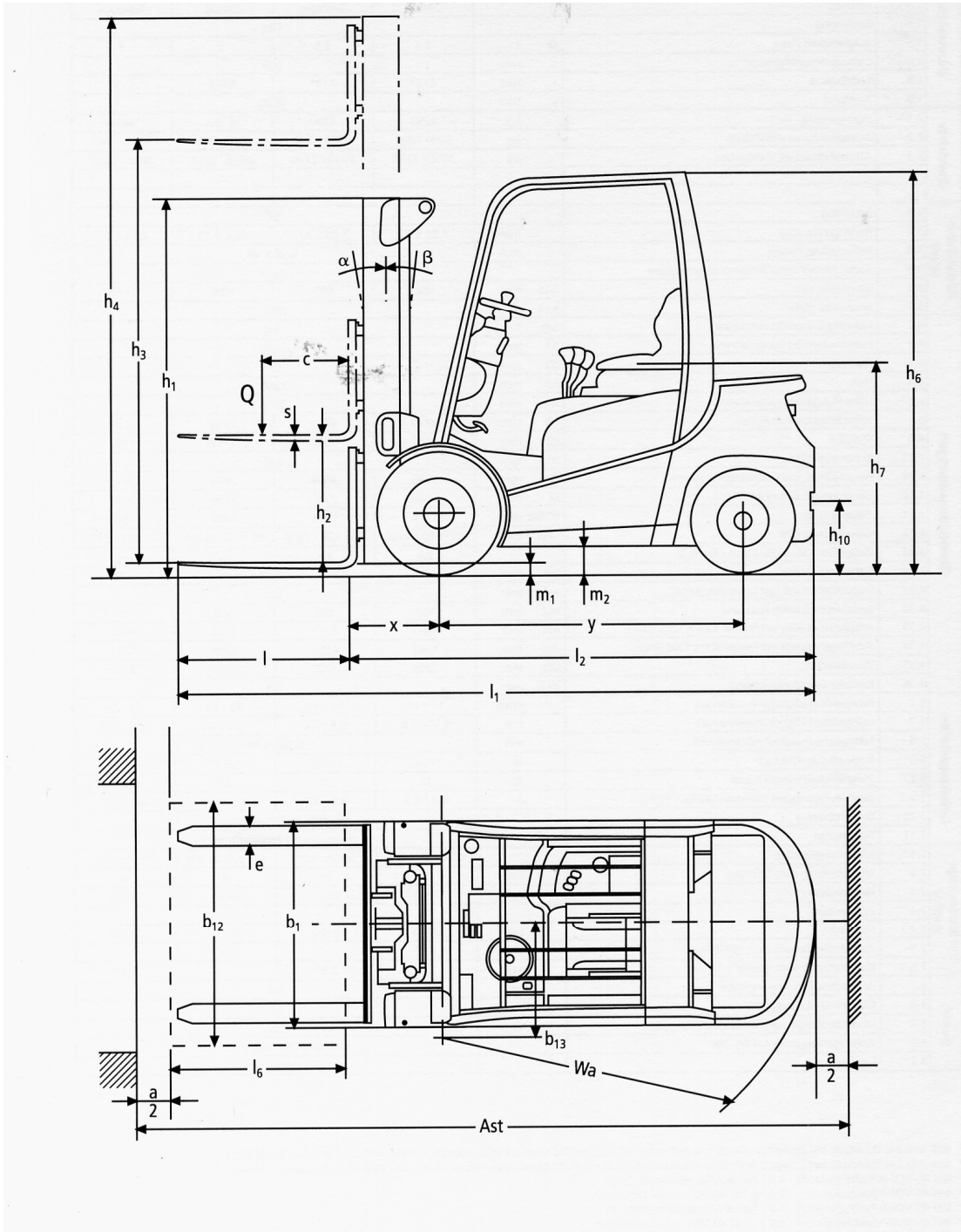


TECHNICAL DATA SHEET

1.	Manufacturer		DEUTRUCK
2.	Type	model designation	DFG 7
3.	Capacity	Q	kg 7.000
4.	Load centre	c	mm 600
5.	Type of drive	electr. , diesel, LPG	diesel
6.	Operator type	stand on / driver seated	driver seated
7.	Tyre	C = cushion / P = pneumatic / SE = super elastic	C/P
8.	Wheels (x=driven)	number front/rear	4x / 2
9.	Lift	h3 standard lift height	mm 3.000
10.		h2 standard free lift	mm 160
11.		h5 special free lift	mm
12.	Forks	length x width x thickness	mm 1.200 x 150 x 65
13.	Fork carriage	FEM 4A	
14.	Fork carriage width		mm 1.700
15.	Tilting	forward / backward	(°) 6 / 12
16.	Dimensions	l1 length with forks	mm 4.804
17.		l2 length without forks	mm 3.604
18.		b1 overall width	mm 2.050
19.		h1 mast standard lowered	mm 2.500
20.		h4 mast standard extended	mm 4.420
21.		h6 height of overhead guard	mm 2.430
22.		h7 seat height	mm 1.350
23.	Turning radius	Wa or WA'	mm 3.350
24.	Load distance	x = centre of drive axle to fork	mm 603,5
25.	Aisle width for 90° stacking	1.000 x 1.200 / 800 x 1.200 pallets	mm 5.150 / 5.350
26.	Stability	DIN 15138 (FEM)	yes
27.	Speeds	travel unlade	km/h 29
28.		lift laden	m / s 0,39
29.		lower laden	m / s 0,48
30.	Drawbar pull	at the hook laden / unlade	N 65.000 / 27.500
31.	Gradeability	laden	% 36
32.	Weight of truck		kg 9.250
33.	Axle loading	unlade front / rear	kg 3.680 / 5.570
34.		laden front / rear	kg 14.600 / 1.650
35.	Wheels (x=driven)	number front / rear	4x / 2
36.	Tyres	dimensions front	" or mm 8.25-15 - 14 PR
37.		dimensions rear	" or mm 8.25-15 - 14 PR
38.	Wheelbase	y	mm 2.300
39.	Tread front / rear	b 10 / b 11	mm 1.489 / 1.700
40.	Ground clearance	m1 under mast laden	mm 190
41.		m2 centre of wheelbase	mm 270
42.	Brakes	service brake	hydr.
43.		parking brake	hand
44.	Battery	type	
45.		Volt / Ah cap.	2 x 12 / 90
46.	Engine	manufacturer / type	DEUTZ / TCD3.6
47.		continuous output ISO 1585	kW 55,4
48.		rated speed ISO 1585	cycl.p.m. 2.300
49.		number of cylinders / capacity	cm³ 4 / 3.621
50.		consumption	l / h
51.		emission standard/ catalysator oxy	EUR III B
52.	Tow coupling		
53.	Transmission	torque converter	ZF 3WG94S
54.	Gear change	forward / backward	3 / 3
55.	Sound level	in drivers ear	db(A) 79
56.	Operating pressure		bar 195

according to VDI 2198 - standard version - subject to modification without pre-advise

Version : 06 / 2016



LOAD CHART

