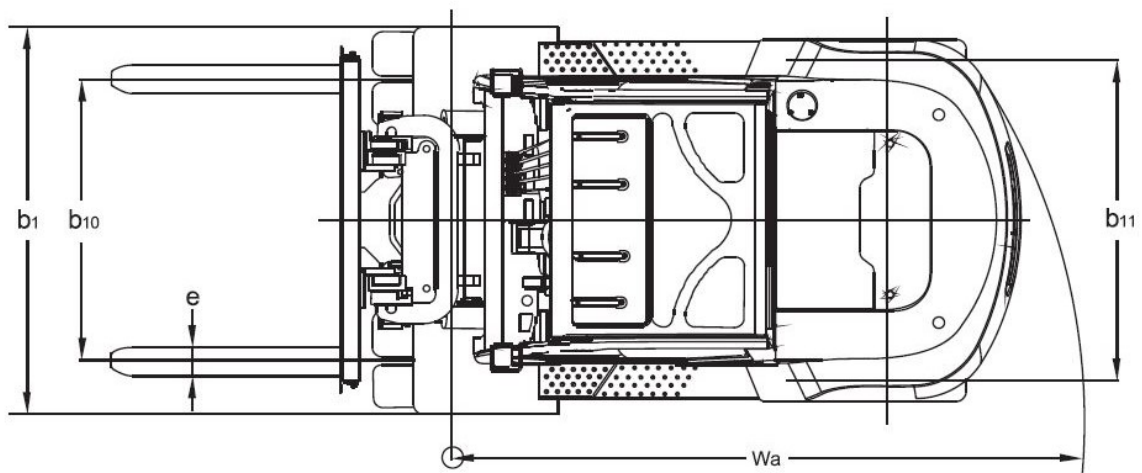
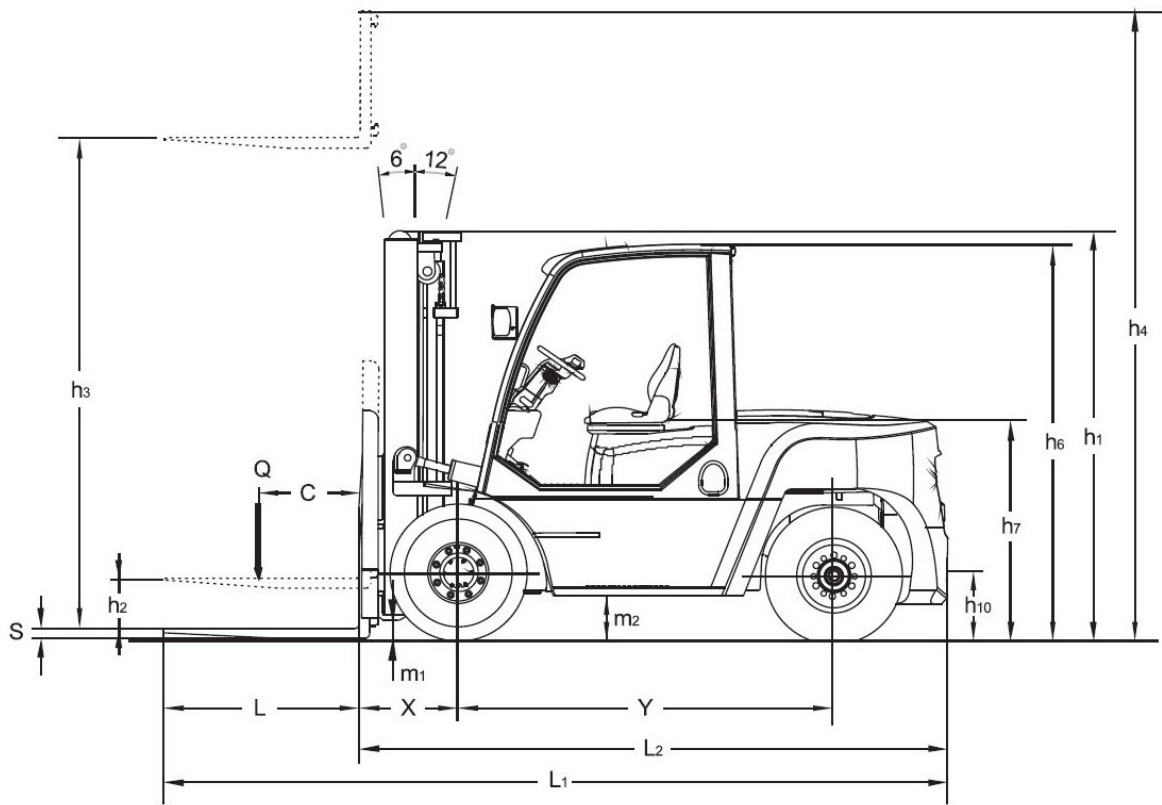


# TECHNICAL DATA SHEET

1.	Manufacturer		<b>DEUTRUCK</b>
2.	Type	model designation	DFG 8
3.	Capacity	Q	kg 8.000
4.	Load centre	c	mm 600
5.	Type of drive	electr. , diesel, LPG	diesel
6.	Operator type	stand on / driver seated	Driver seated
7.	Tyre	C = cushion / P = pneumatic / SE = super elastic	L
8.	Wheels (x=driven)	number front/rear	4x / 2
9.	Lift	h3 standard lift height	mm 3.000
10.		h2 standard free lift	mm 200
11.		h5 special free lift	mm
12.	Forks	length x width x thickness	mm 1.500 x 160 x 75
13.	Fork carriage	FEM 4A	
14.	Fork carriage width	b3	mm 1.950
15.	Tilting	forward / backward	(°) 6 / 12
16.	Dimensions	l1 length with forks	mm 5.395
17.		l2 length without forks	mm 3.880
18.		b1 overall width	mm 2.100
19.		h1 mast standard lowered	mm 2.700
20.		h4 mast standard extended	mm 4.195
21.		h6 height of overhead guard	mm 2.500
22.		h7 seat height	mm 1.505
23.	Turning radius	Wa or WA'	mm 3.630
24.	Load distance	x = centre of drive axle to fork	mm 705
25.	Aisle width for 90° stacking	1.000 x 1.200 / 800 x 1.200 pallets	mm 5.535 / 5.735
26.	Stability	DIN 15138 (FEM)	Yes
27.	Speeds	travel unladen	km/h 32
28.		lift laden	mm / s 440
29.		lower laden	mm / s 455
30.	Drawbar pull	at the hook laden / unladen	N 65.000 / 45.000
31.	Grade ability	laden	% 20
32.	Weight of truck		kg 11.200
33.	Axle loading	unladen front / rear	kg 4.480 / 6.720
34.		laden front / rear	kg 17.280 / 1.920
35.	Wheels (x=driven)	number front / rear	4x / 2
36.	Tyres	dimensions front	" or mm 10.00 x 20
37.		dimensions rear	" or mm 10.00 x 20
38.	Wheelbase	y	mm 2.500
39.	Tread front / rear	b 10 / b 11	mm 1.628/1.700
40.	Ground clearance	m1 under mast laden	mm 185
41.		m2 centre of wheelbase	mm 339
42.	Brakes	service brake	hydraulic
43.		parking brake	hand
44.	Battery	type	starter
45.		Volt / Ah cap.	2x12V/90
46.	Engine	manufacturer / type	DEUTZ / TCD3.6
47.		continuous output ISO 1585	kW 80
48.		rated speed ISO 1585	cycl.p.m. 2.400
49.		number of cylinders / capacity	cm³ 4
50.		consumption	l / h
51.		emission standard/ catalyser oxy	EUR V
52.	Tow coupling		
53.	Transmission	torque converter	
54.	Gear change	forward / backward	
55.	Sound level	in drivers ear	db(A) 86
56.	Operating pressure		bar 195

according to VDI 2198 - standard version - subject to modification without pre-advise

Version : 06/2021



### LOAD CHART

